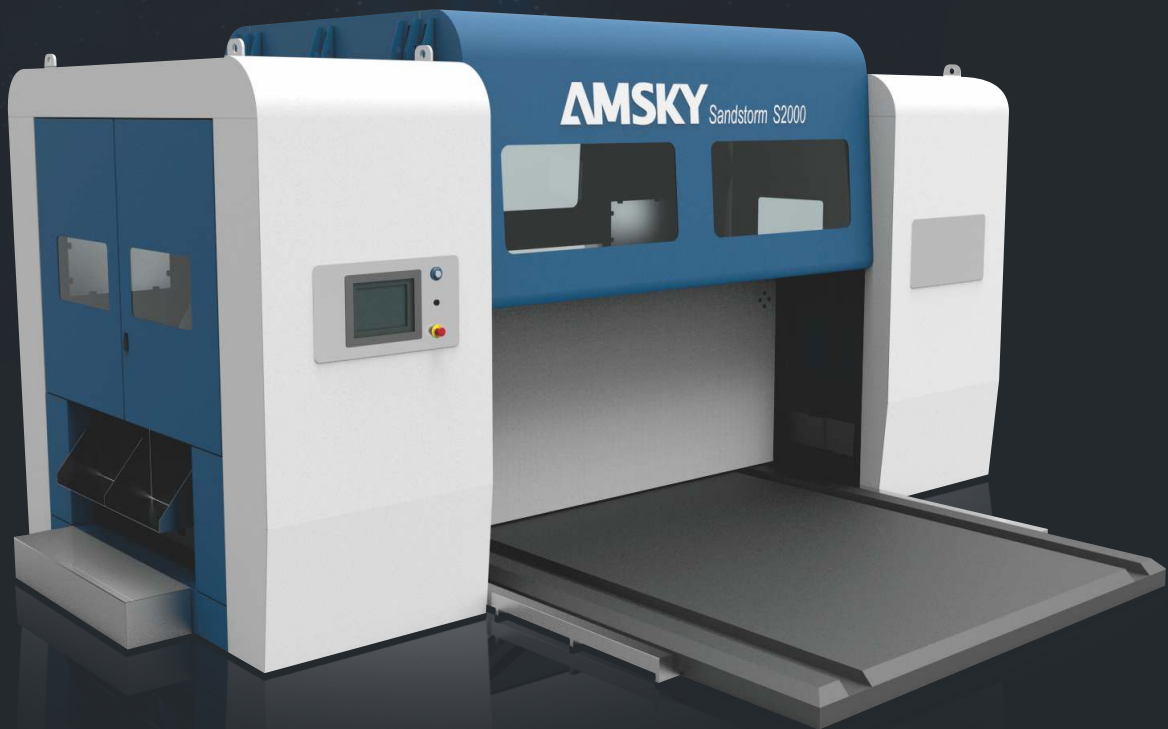


**AMSKY**

# Sandstorm S2000 Series

130L/h build speed



800DPI print resolution



±3µm motion control precision



Double job boxes, working  
24 hours a day



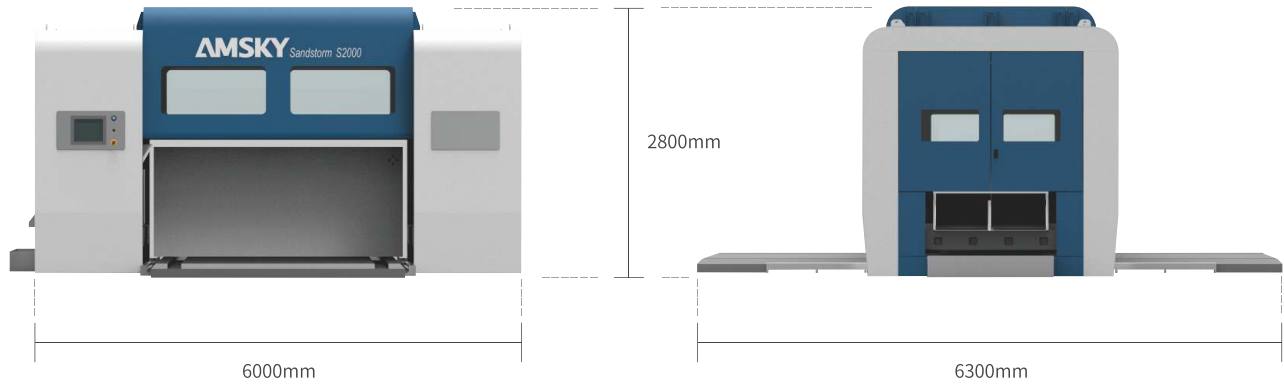
Automatic sand preparation



Castiron frame

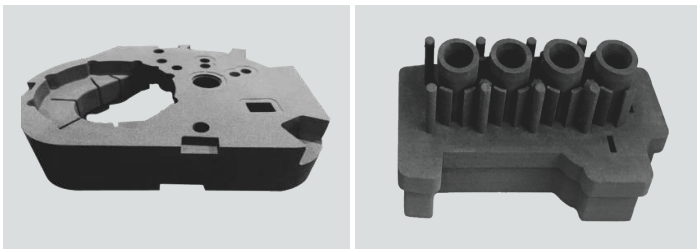


Tailor made for customer



## TECHNICAL SPECIFICATIONS

Dimensions (L x W x H)	6,000 x 6,300 x 2,800 mm
Installation Space (L x W x H)	10,200 x 7,000 x 5,900mm (Installation space includes sand pre-treatment system, electric control cabinet and main engine)
Weight	11,000 kg
Build space (L x W x H)	S2000(a): 2,000 x 1,000 x 800 mm S2000(b): 2,200 x 1,000 x 800 mm
Print resolution	up to 800 dpi
Layer thickness	0.1 - 0.5 mm
Working temperature	22 - 38°C
Working humidity	≤ 70%



## TECHNICAL ADVANTAGES

### TAILOR MADE FOR CUSTOMER

In responding to different printing needs, the quantity of print head, resolutions, and size of ink droplet are tailor made for customer.

### A MAXIMUM OF 130L/H BUILD SPEED (0.3MM LAYER THICKNESS) SUPPORTED

Product accuracy being  $\pm 0.3\text{mm}$  when printing  $\leq 400\text{mm}$  product at the speed of 95-130L/h and  $\pm 0.1\%$  when printing  $> 400\text{mm}$  product, as well as the time for completing one job box being controlled within 12-14.5 hours, the performance achieves the top level of international sand mold 3D printer, and the sanding speed is higher than any product of the same model.

### $\pm 3\mu\text{m}$ MOTION CONTROL PRECISION

With the combination of linear motor and raster ruler, the precision of raster ruler reaches up to  $1\mu\text{m}$ , improving the operation reliability, speed and precision and reducing the volume of device.

### CASTIRON FRAME

With castiron frame adopted, the structural stability and reliability are improved to a new level, which reaches the general requirements of machine tool.

### DOUBLE JOB BOXES WORKING 24H A DAY

With standard double job boxes equipped, achieve one job box is still clearing sand while another one has already been working, continuously working 24hours for you.

### FULLY AUTOMATIC SAND PREPARATION

After manually loading the sand into sand tank for the first time, all of the remaining works, including sand mixing and feeding, etc. will be automatically finished without any human intervention.

